

Fiera

L I G H T E M O T I O N

 **coemar**

Fiera

Power and Design



Fiera is unique.

Unique in its design evolution;
born as a result of the demand for simplicity
and developed through the logic of necessity

Unique because of the specially selected hi-tech materials used in its construction
and the innovative and futuristic design

Unique because it is an incomparable result
where power, versatility and movement
shape and colour an object
embellishing its surface and accentuating its form

Where scenographic quality
in spaces both large and small
is a fundamental element

Where light is communication,
art, involvement and conviction

Fiera: born to pay homage to the opera of man

 **coemar**







Fiera

Power and design

fiera 1200

■ The Lamp housing

Internal panels are constructed using aluminium, ensuring the lamp operates at an optimal temperature, thereby prolonging lamp life and reducing running costs.

■ The optics housing

Utilises a parabolic, borosilicate, heat-resistant dichroic glass reflector; guaranteeing an optimal reflective index whilst simultaneously drastically reducing infrared emissions. The housing is designed to maximise luminous output.

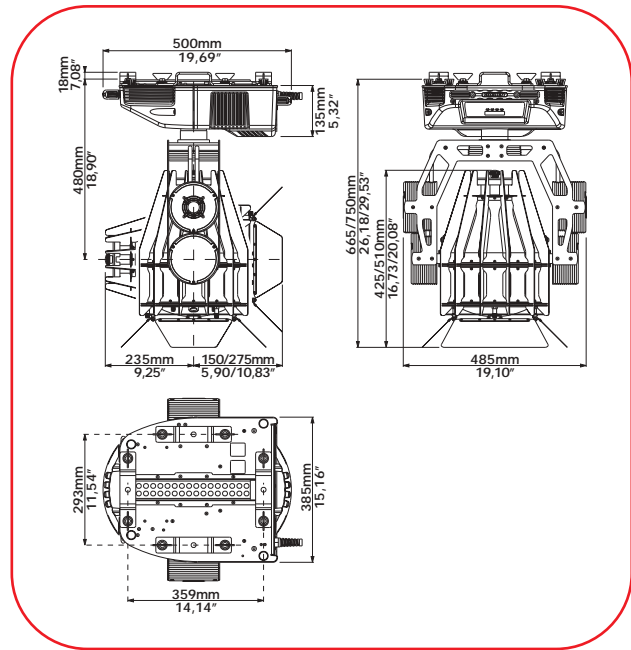
■ Fixture housing

The ABS plastic housing is lightweight, compact and robust, and houses all the electromechanical and electronic components, allowing easy access to them via its removable covers. Transportation and installation of the fixture are facilitated by ergonomically designed and located grab-handles.

Pan and tilt yoke movement, variable projection angles, and 4 leaf barndoors for masking portions of the beam all combined to allow for maximum accuracy in beam positioning via standard dmx signal.

Bi-directional communication between the Fiera and the DR1 allows the operator remote, real-time access to all the internal functions of the fixture for modifications to configuration settings to be made, as well as for running test functions, diagnostic programs and recording positioning.

The Fiera version featuring an electronic ballast, in addition to being lightweight, also offers stability, is dimmable, flicker-free and allows for electronic strobing.



Available versions

Fiera 1200 (code# 9150)

Fiera 1200 EB electronic ballast with pfc (code# 9151)



TECHNICAL DATA

- **Body:** steel and aluminium with plastic covers. Ergonomic handles.
- **Available lamps:** Philips MSR-1200/2, MSR-1200, MSD-1200, (see dedicated section)
- **Ventilation:** silent, controlled by ambient temperature and lamp status.
- **Optics:** axially-mounted lamp, dichroic cold mirror borosilicate reflector, Ø 205mm. front lens. Externally-accessible, fine lamp adjustment in the optical system

- **Zoom:** linear, manual, beam adjustment between spot and flood position; optional lenses included to achieve different zoom angles (for more information see lighting diagram).

- **Beam shaping device:** the unit is designed to utilise a range of lenses and front filters to adjust the projection angles. Special filters, alongside the standard range, are available on request.

- **Movement:** 530° pan x 210° tilt, 16 bit.

- **Dimmer (EB version):** adjustable power from 800 to 1200 W.

- **ZAP strobe (EB version):** electronic strobe variable from 0-100Hz, synchronised, random and pulse effect.

- **Barndoor framing system:** rotatable through 360°, independent adjustment of the 4 blades.

- **Communication:** DMX 512 protocol, 8 channels. RDM bi-directional communication with DR 1.

- **Automatic repositioning** in case of accidental misalignment of the fixture

- **User interface:** 4 character, 7 segment LED multi-function display: dmx address, lamp life test, signal presence, correct functioning, forced lamp on, motor position recording without dmx signal.

- **Compatible with DR 1 (code # 9703):** Fiera communicates with the DR 1 via a standard DMX 512 connection; information exchange allows for the remote replication of all data that is usually modifiable via the user interface.

- **Lamp power requirements (EB version):** high-efficiency electronic ballast and PFC (Cosφ8%), flicker-free square wave, constant power.

- **Power requirement:** 208/230/240V AC, 50/60 Hz, 7A @ 230VAC.

- **Mounting:** any position.

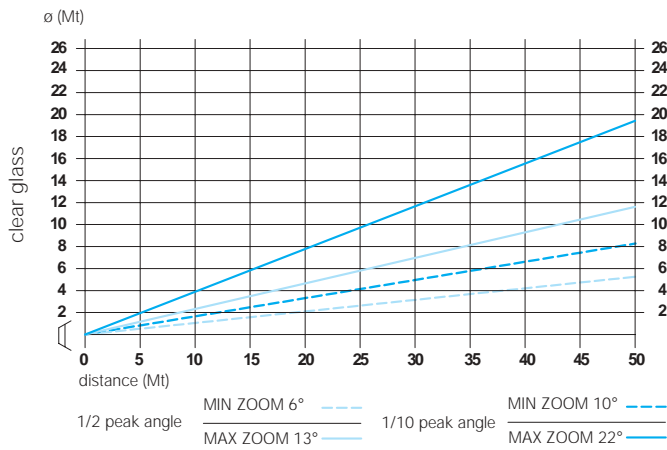
- **Weight:** code 9151: 26kg (57 lb)
code 9150: 38,6kg (85 lb)



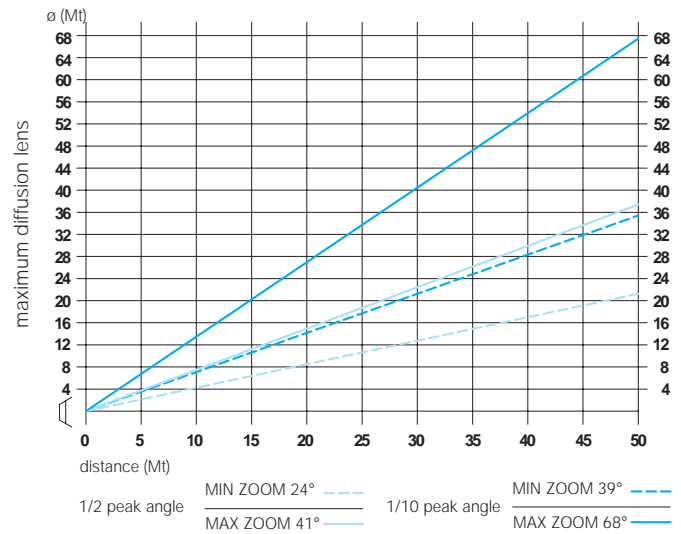
Fiera

1200

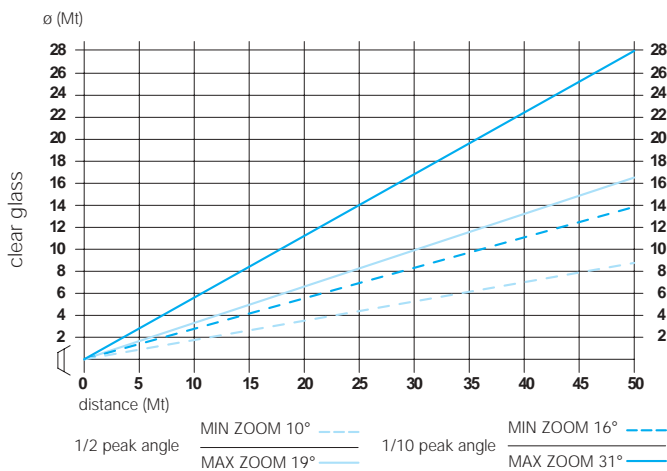
Light Output (lux)	distance (Mt)									
	5	10	15	20	25	30	35	40	45	50
MIN ZOOM	186880	46720	20764	11680	7475	5191	3814	2920	2307	1869
MAX ZOOM	87040	21760	9671	5440	3482	2418	1776	1360	1075	870



Light Output (lux)	distance (Mt)									
	5	10	15	20	25	30	35	40	45	50
MIN ZOOM	17640	4410	1960	1103	706	490	360	276	218	176
MAX ZOOM	5400	1350	600	338	216	150	110	84	67	54



Light Output (lux)	distance (Mt)									
	5	10	15	20	25	30	35	40	45	50
MIN ZOOM	30720	7680	3413	1920	1229	853	627	480	379	307
MAX ZOOM	87040	21760	9671	5440	3482	2418	1776	1360	1075	870



Test lamp: Philips MSR-1200/2

the lamps

Fiera 575 available lamps

type	MSR 575/2	MSD 575
lamp wattage	575 W	575 W
cap/base	GX9,5	GX9,5
lumen output	49.000 lm	43.000 lm
efficacy source	85 lm/W	75 lm/W
colour temperature	7200 K	6000 K
average lamp life	1000 h	3000 h
replacement before hours	1200 h	3300 h
colour rendering index	80	75
coemar code	105245/2	105215
installed as standard	*	



MSR 575/2



MSD 575

Fiera 1200 available lamps

type	MSR 1200	MSR 1200/2	MSD 1200
lamp wattage	1200 W	1200 W	1200 W
cap/base	G22	G22	G22
lumen output	110.000 lm	110.000 lm	92.000 lm
efficacy source	91 lm/W	91 lm/W	77 lm/W
colour temperature	5900 K	7200 K	6000 K
average lamp life	800 h	800 h	3000 h
replacement before hours	1000 h	1000 h	3300 h
colour rendering index	95	85	80
coemar code	105090	105090/2	105811
installed as standard		*	



MSR 1200



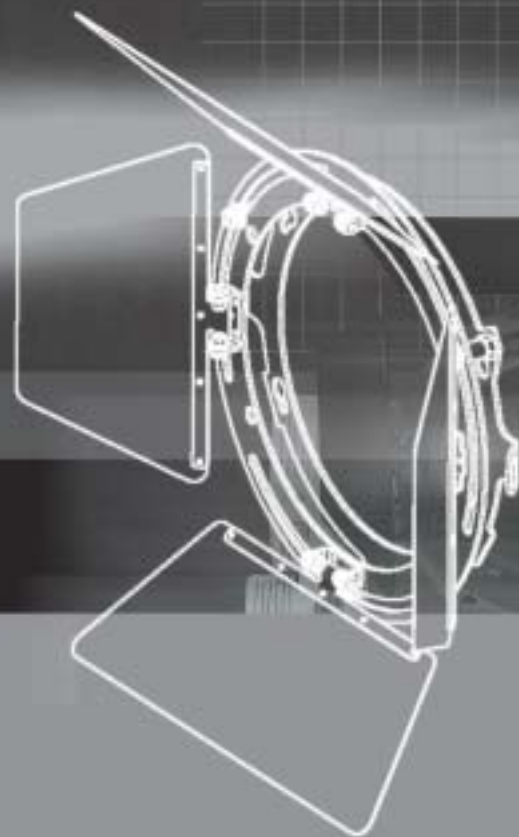
MSR 1200/2



MSD 1200

Fiera

an explosion of technology



575 - 1200